

# Huatraco®

## Formwork System



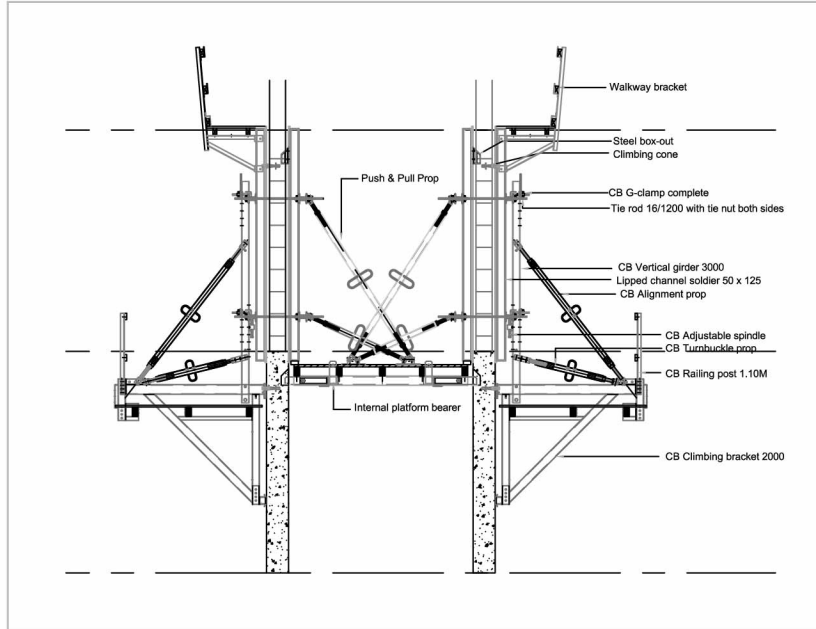


# Huatraco® Formwork System

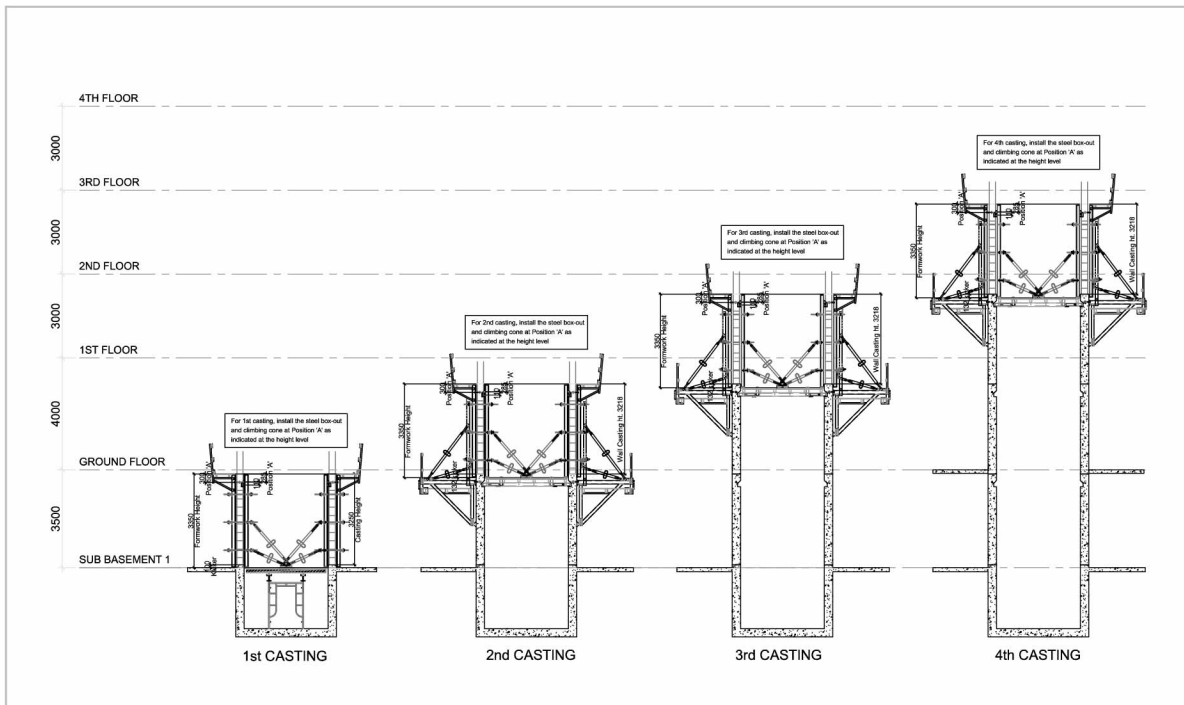
## Jumpform



Jumpform



Liftcore Jumpform Section



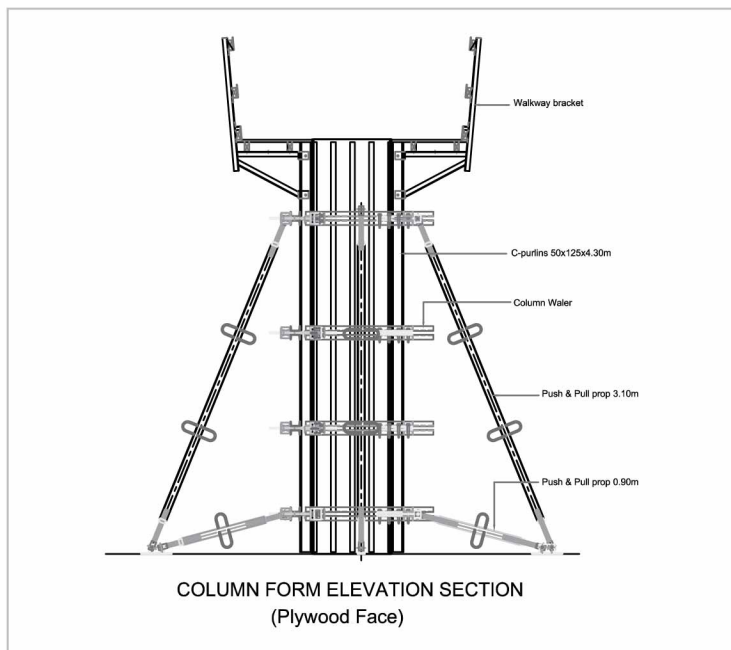
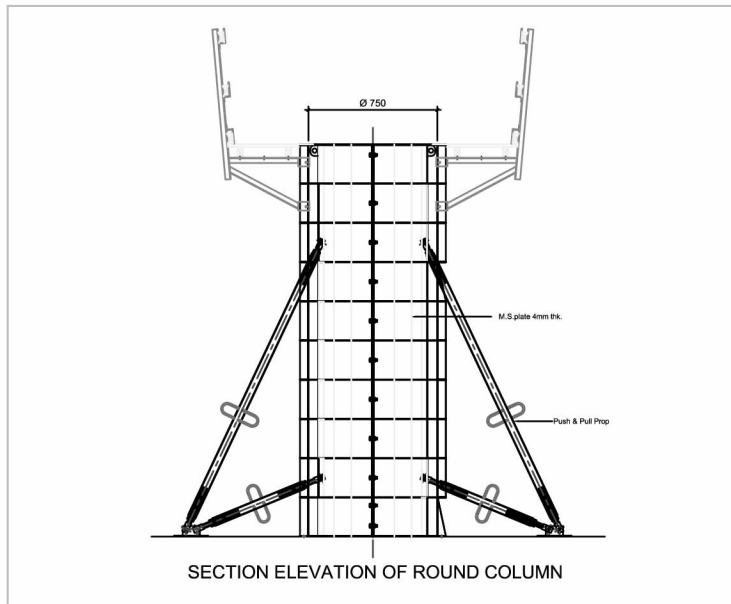
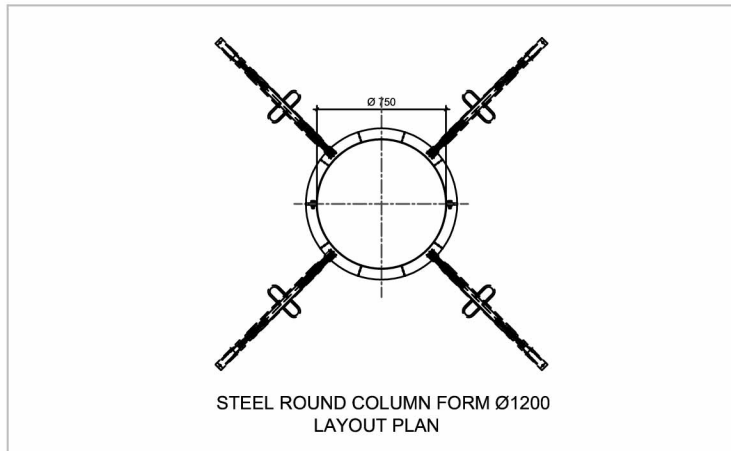


# Huatraco® Formwork System

## Column Form



Column Form





# Huatraco® Formwork System

## Wallform

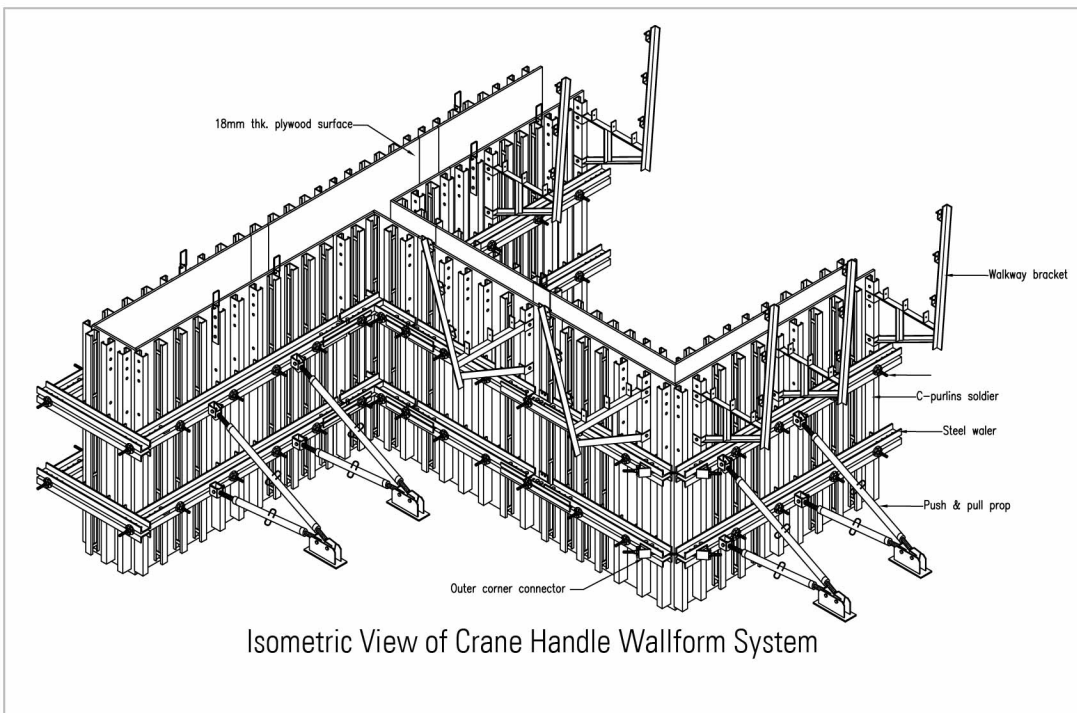
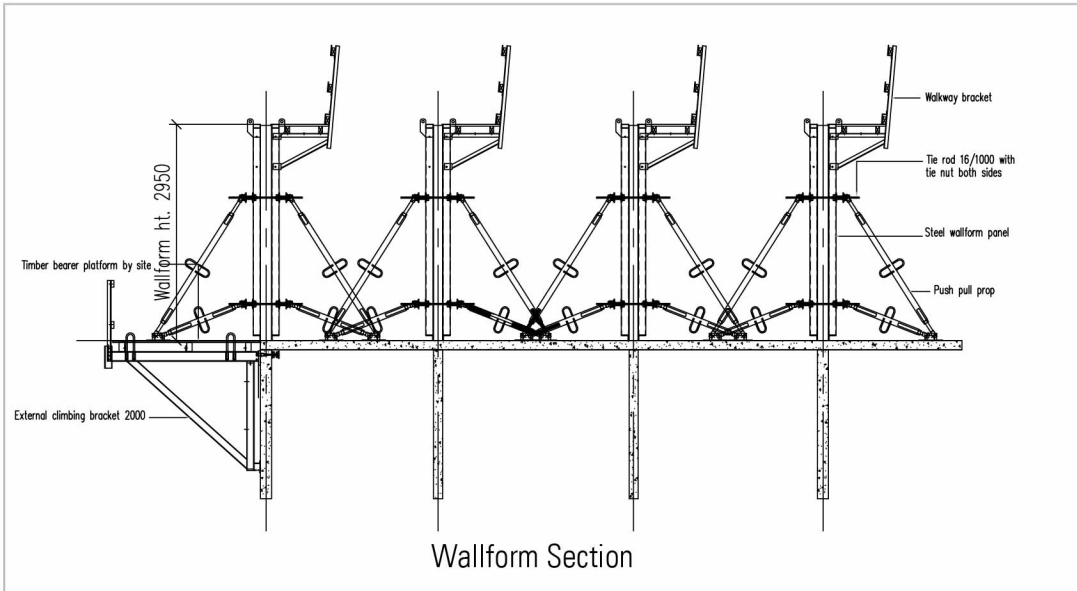
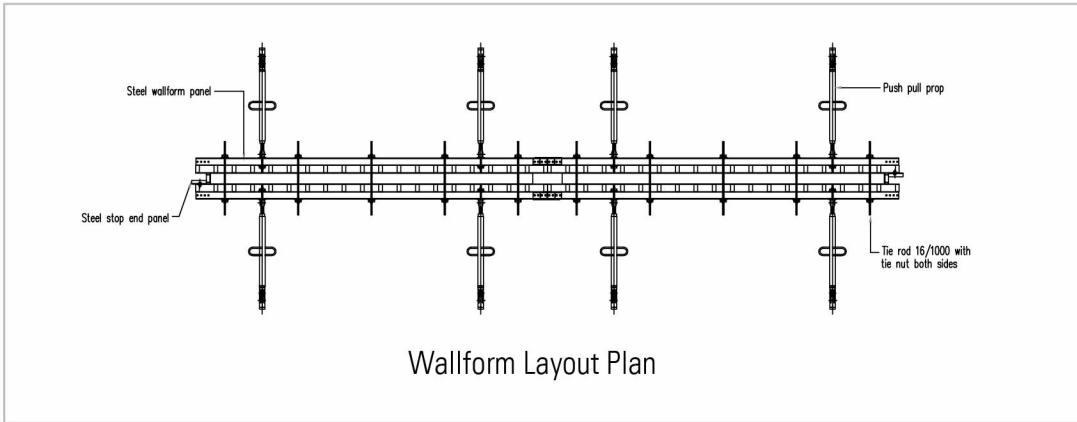


Huatraco® modular formwork consists of extremely high quality surface material, well protected by steel frame. Quality controlled manufacturing standards guarantee soundly construction components with a long life span.



Huatraco® modular formwork panels are ideally sized to permit use in an infinite variety of height and length.

Wallform





# Huatraco® Formwork System

Wallform

## Huatraco® Formwork System

- Optimized Design
- Ease of Assembly
- Efficient Operation
- Quality and Reliability

